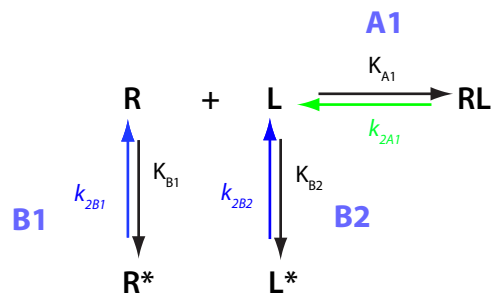


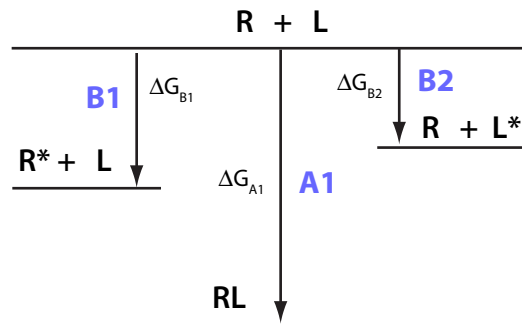
U-R-L

Binding coupled with intramolecular isomerization in both the receptor and ligand

Reaction scheme



Free-energy diagram
(positions of energy levels are chosen for easy viewing)



Thermodynamic cycle

no cycle here, all three constants are independent.